

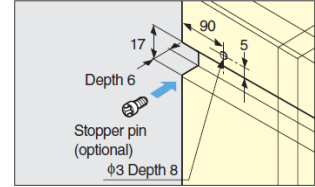
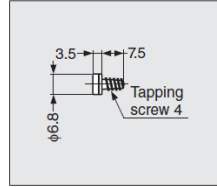
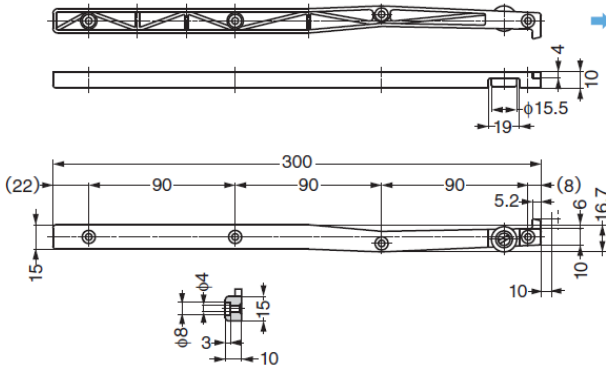
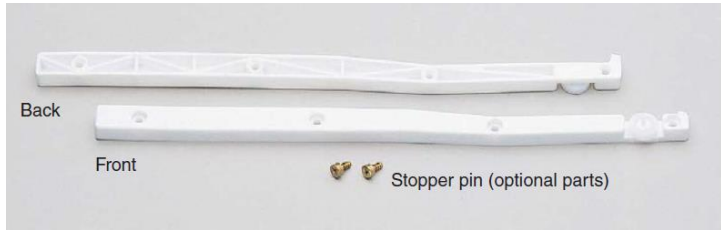
## GSB-300R Plastic Slide (5 kg)

### Features

- Easy installation
- With the roller for smooth movement
- Used in pairs

### Optional Parts

- Stopper pin GSBSP



### Stopper Pin (Optional)

Part No.	Material	Finish
GSBSP	Steel	Yellow Zinc Chromate

### Slide

Sold by piece

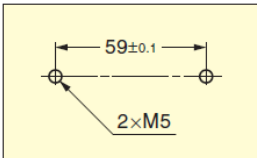
Part No.	Type	Material	Colour	Load Capacity
GSB-300RR	Right	Polyethylene (PE)	White	49 N 5 kgf
GSB-300RL	Left	Polyethylene (PE)	White	49 N 5 kgf

## GGDSR144-R Drawer Damper

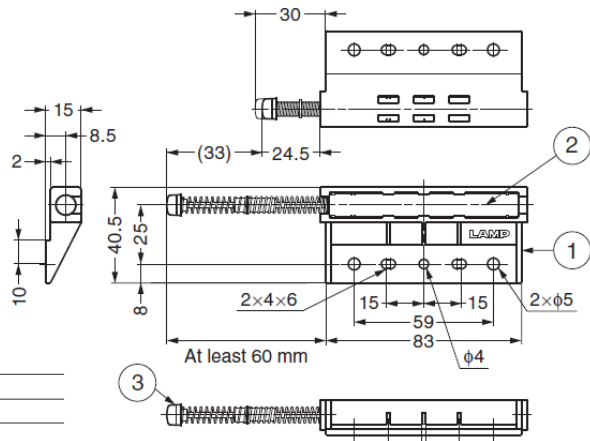
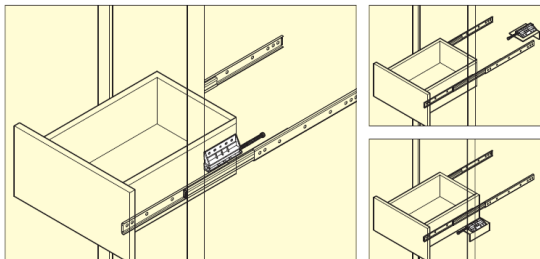
### Remarks

- Latch is required to hold the drawer in closed position

### Cut Out Dimensions



### Installation



No.	Part Name	Material	Colour
①	Bracket	ABS	Light Grey
②	Body	Polyacetal (POM)	Grey
③	Bumper	Polyurethane (PUR)	Red

Part No.	Reaction Force
GGDSR144-R	20 N 2 kgf